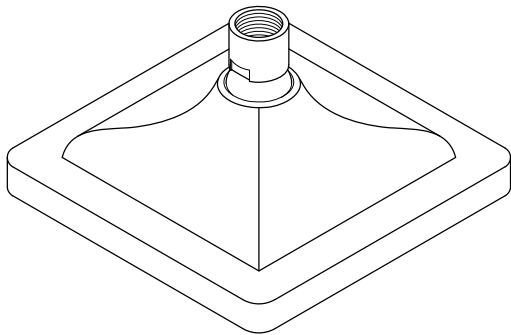
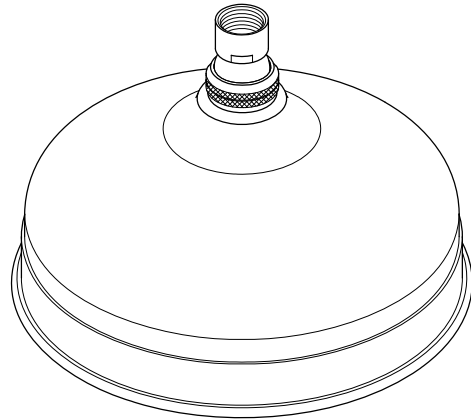


Elements
Of Design

INSTALLATION INSTRUCTIONS Shower Head

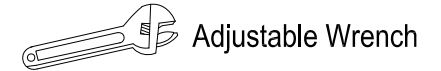


NOTICE

Failure to follow all directions may cause leaks
which may result in water damage

www.eodfaucet.com
TOLL-FREE CUSTOMER SERVICE: 877-FAUCET-1(328-2381)
TECHNICAL SUPPORT E-mail: info@eodfaucet.com
12775 Reservoir Street, Chino, CA 91710

TOOLS REQUIRED



Remove the Original Shower Head :

1. Remove old shower head from the shower arm by turning counterclockwise.
2. After removing shower head, clean any debris from the threads of the shower arm.

Install the Shower Head :

1. Wrap Teflon tape 3 or 4 times clockwise around the 1/2 NPT male threads of the shower arm. If using a straight thread (1/2 NPSM), Teflon tape is optional, but ensure the shower head's inner thread is also straight and has a rubber washer.
2. Install the new shower head by turning it clockwise slowly and carefully, ensuring a proper connection. Avoid over-tightening, as this can cause damage and leaks.
3. Turn on the water to check for leaks. If leaks are found, loosen and re-tighten the shower head, repeating steps 1 and 2.

✳ If leaking persists, it may be necessary to add more Teflon tape on the threads to ensure proper water seal.

