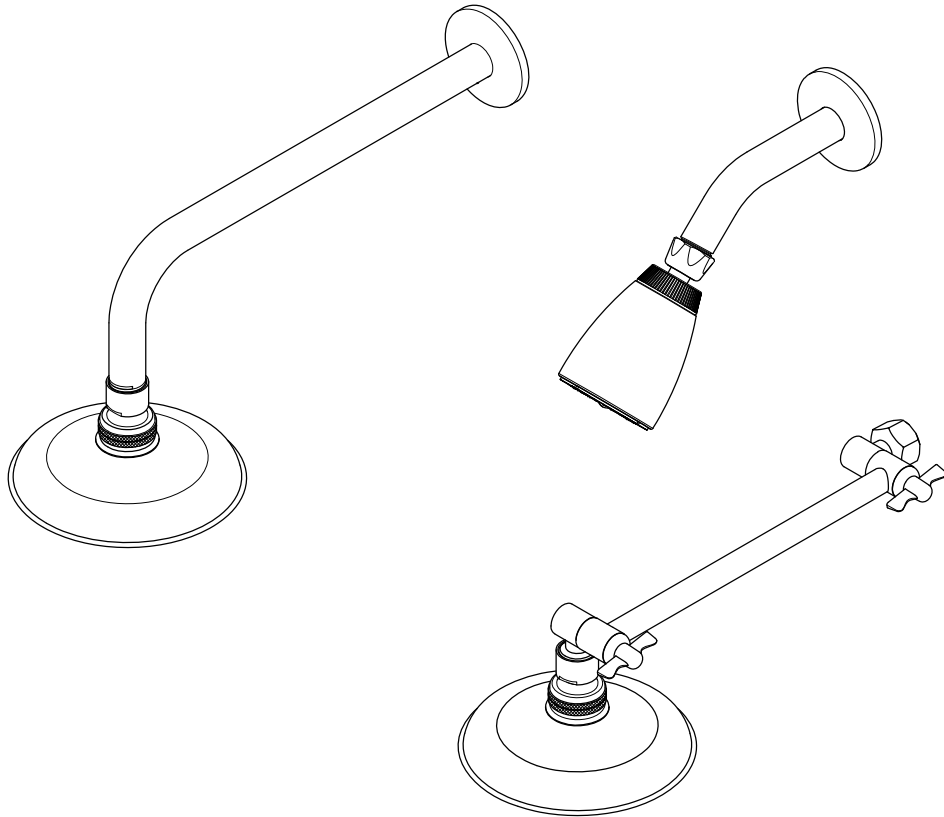


Elements
Of Design

INSTALLATION INSTRUCTIONS Shower Arm with Shower Head



www.eodfaucet.com
TOLL-FREE CUSTOMER SERVICE: 877-FAUCET-1(328-2381)
TECHNICAL SUPPORT E-mail: info@eodfaucet.com
12775 Reservoir Street, Chino, CA 91710

NOTICE

Failure to follow all directions may cause leaks
which may result in water damage

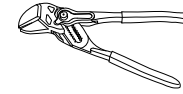
CAUTION

Failure to follow all installation directions may
cause product to detach from the wall and
cause serious injury

TOOLS REQUIRED



Adjustable Wrench



Plier



Teflon Tape



Protection Cloth

Remove the Original Shower Heads and Arm :

1. Unscrew the showerhead from the shower arm by turning it counter-clockwise.
2. Use pliers to remove the shower arm by turning it counter-clockwise.
3. Clean any debris from the inner threads of the stub-out elbow.

Install the Shower Arm :

1. Wrap 3 or 4 revolutions of Teflon tape clockwise around the threads of the shower arm.
2. Screw the shower arm onto the stub-out elbow and hand-tighten it. Adjust the arm to point downward.
3. Avoid over-tightening, as this can cause damage and leaks.
4. Turn on the water for 1 minute to check for leaks. If leaks occur, loosen and re-tighten the shower arm.
5. Apply a small bead of silicone caulking to the back of the wall flange and press it against the wall.

If you are installing a shower arm with female threads.

After adding 3 to 4 revolutions of Teflon tape, thread a close nipple on stub-out elbow and then thread shower arm onto nipple.

✳ If leaking persists, it may be necessary to add more Teflon tape on the threads to ensure proper water seal.

Install the Shower Head :

6. Wrap Teflon tape 3 or 4 times clockwise around the 1/2 NPT male threads of the shower arm. If using a straight thread (1/2 NPSM), Teflon tape is optional, but ensure the shower head's inner thread is also straight and has a rubber washer.
7. Install the new shower head by turning it clockwise slowly and carefully, ensuring a proper connection. Avoid over-tightening, as this can cause damage and leaks.
8. Turn on the water to check for leaks. If leaks are found, loosen and re-tighten the shower head, repeating steps 1 and 2.

※ If leaking persists, it may be necessary to add more Teflon tape on the threads to ensure proper water seal.

