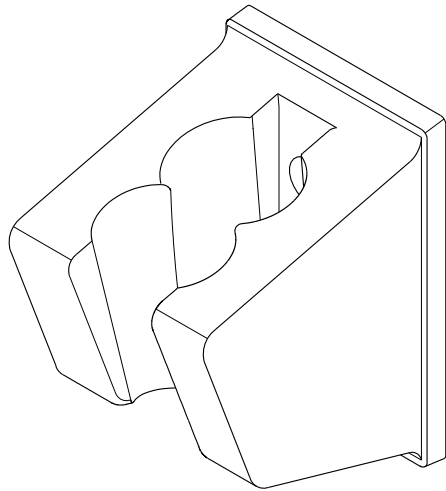
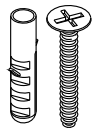


Wall Bracket For Hand Shower Installation



Parts:

Mounting
Screw
& Anchor



2 Pcs

www.eodfaucet.com

TOLL-FREE CUSTOMER SERVICE: 877-FAUCET-1(328-2381)

TECHNICAL SUPPORT E-mail: info@eodfaucet.com

12775 Reservoir St., Chino, CA 91710

TOOLS REQUIRED

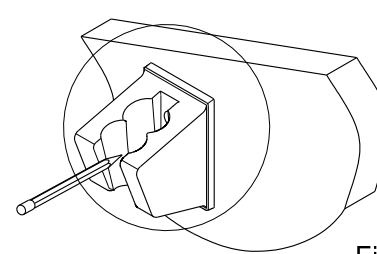
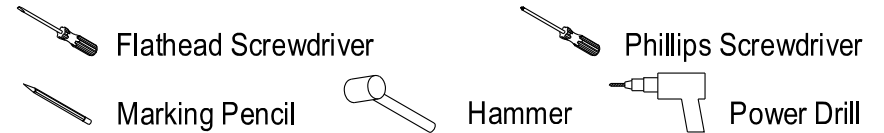


Fig. 1

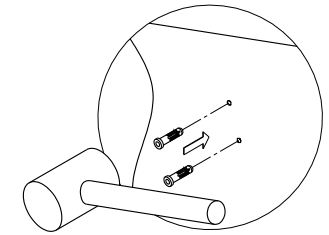


Fig. 2

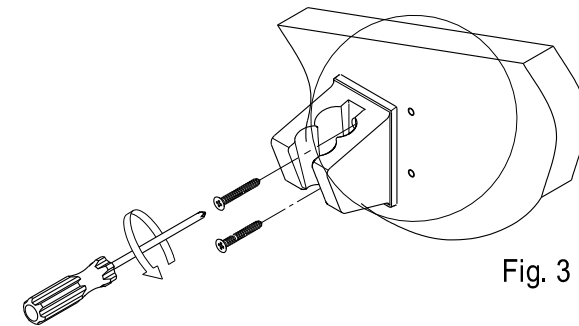


Fig. 3

Installation Steps:

Step 1. Locate position on the wall and mark outline of cover plate on the wall (fig. 1).

Step 2. Locate wall bracket in the center of outline. Mark location of the mounting screw (fig.1) and drill holes at the marked location.

Step 3. Insert anchors into the holes until flush with wall (fig. 2).

Step 4. Screw the wall bracket to wall with mounting screw (fig. 3).

Cleaning

Clean with a damp cloth only.

Avoid using metal or abrasive polishes.