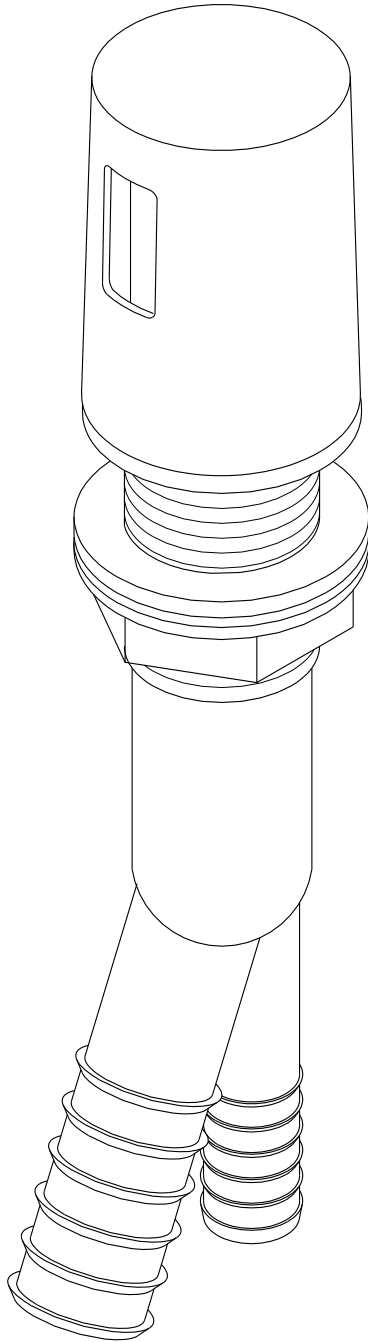


E l e m e n t s
O f D e s i g n



www.eodfaucet.com

TOLL-FREE CUSTOMER SERVICE: 877-FAUCET-1(328-2381)

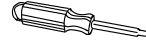
TECHNICAL SUPPORT E-mail: info@eodfaucet.com

12775 Reservoir St., Chino, CA 91710

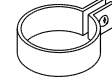
INSTALLATION INSTRUCTIONS

For Use With EOD's Air Cap

TOOLS REQUIRED

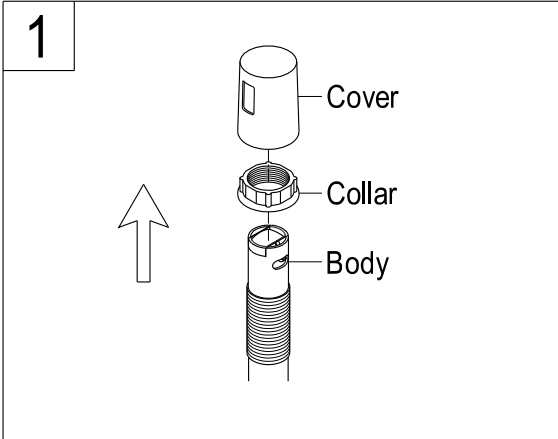


Screwdriver

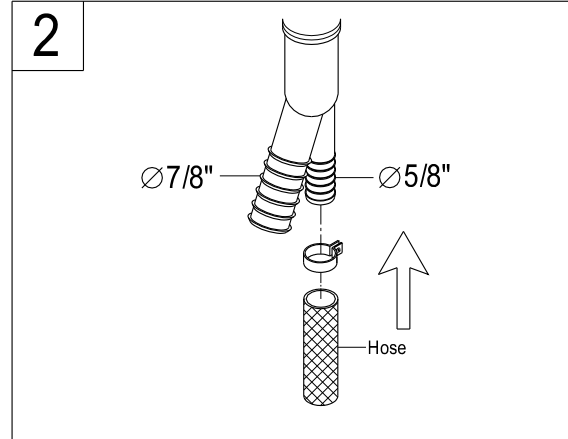


Hose Clamp

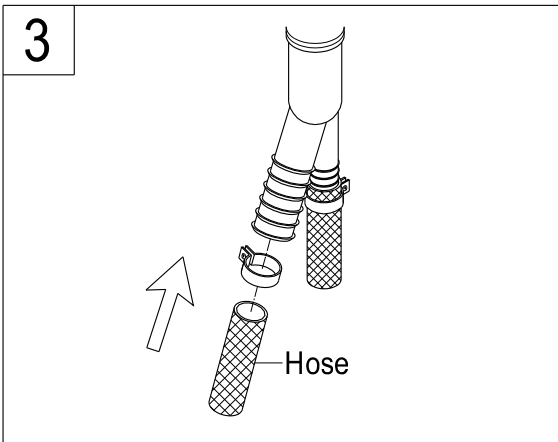
INSTALLATION INSTRUCTIONS



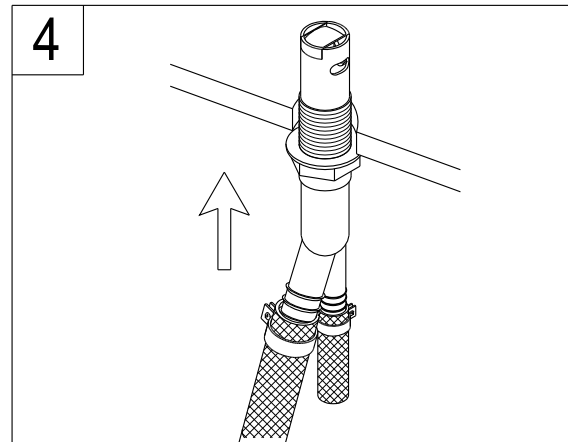
1. Remove cover and collar from body.



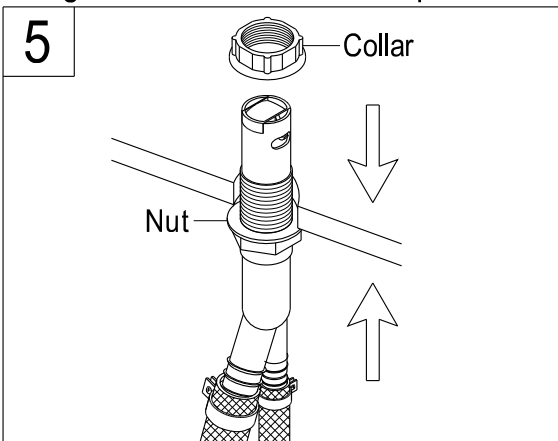
2. Attach 5/8" dishwasher drain hose to 5/8" leg. Secure with hose clamp.



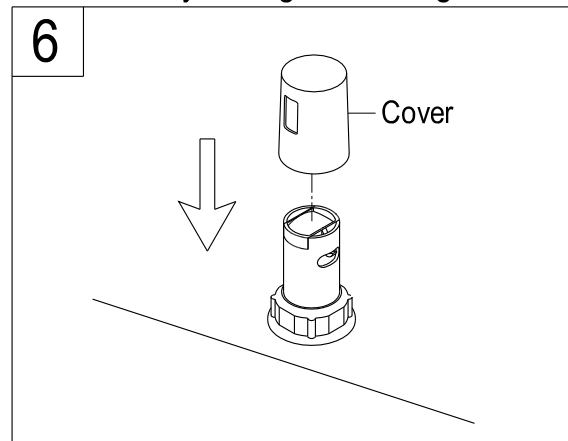
3. Attach 7/8" garbage disposal hose or side inlet sink trap drain hose to 7/8" leg. Secure with hose clamp.



4. Air Cap should appear above sink rim surface. Push body through mounting hole.



5. Tighten the nut and collar.



6. Place cover over the body collar.