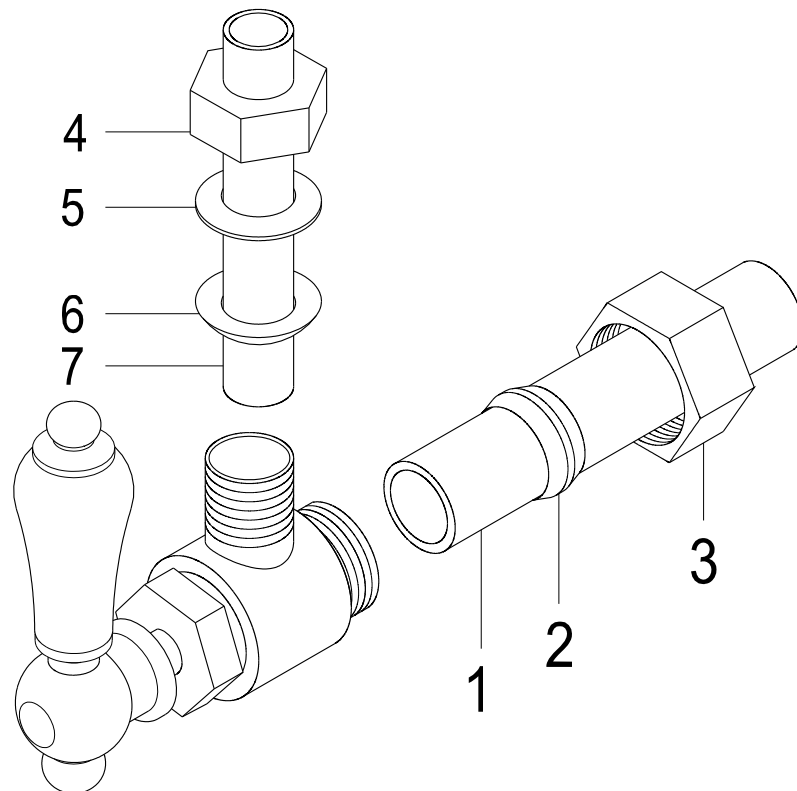


## INSTALLATION INSTRUCTIONS For Use With EOD's Angle Stop

### Instructions:

1. Place nut(3) and ring(2) on tube(1).
2. Insert tube(1) into valve.
3. Wrench tighten nut(3) onto valve.
4. Place nut(4), metal washer(5) and rubber washer (6) on tube(7).
5. Insert tube(7) into valve.
6. Wrench tighten nut(4) onto valve.
7. Stop any leaks by tightening nuts slightly.



[www.eodfaucet.com](http://www.eodfaucet.com)

TOLL-FREE CUSTOMER SERVICE: 877-FAUCET-1(328-2381)

TECHNICAL SUPPORT E-mail: [info@eodfaucet.com](mailto:info@eodfaucet.com)

12775 Reservoir St., Chino, CA 91710