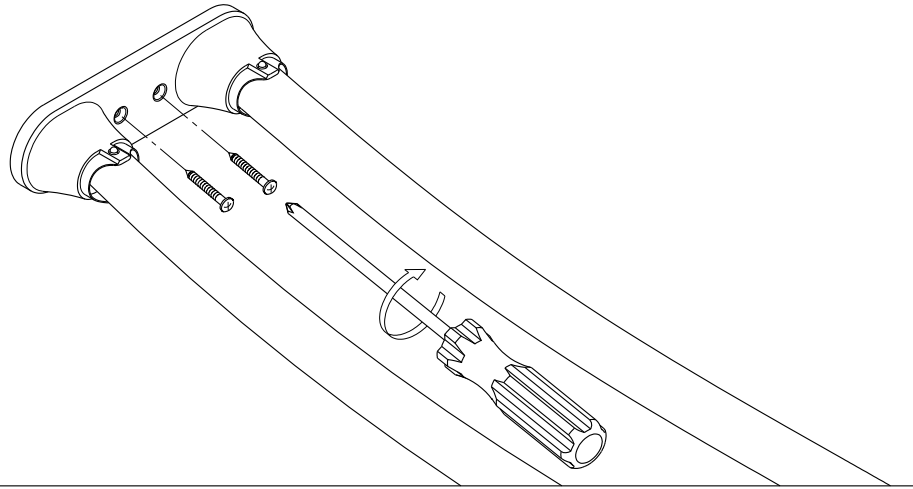
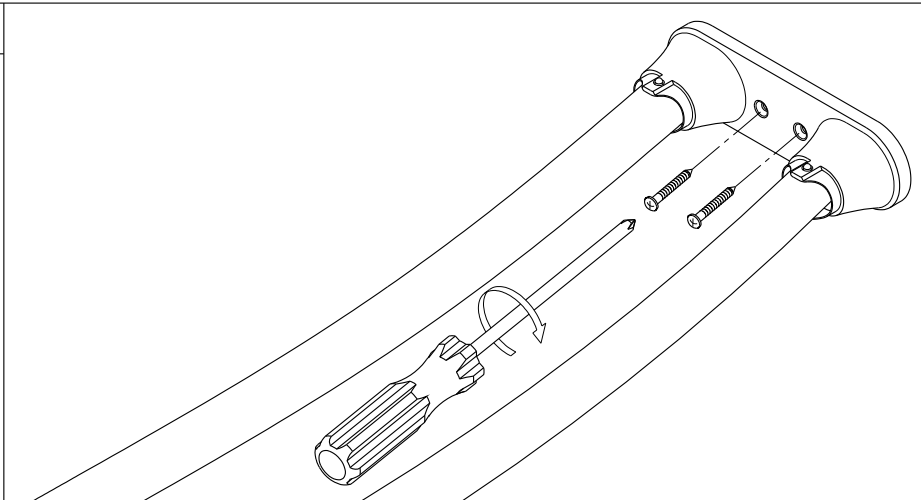


4

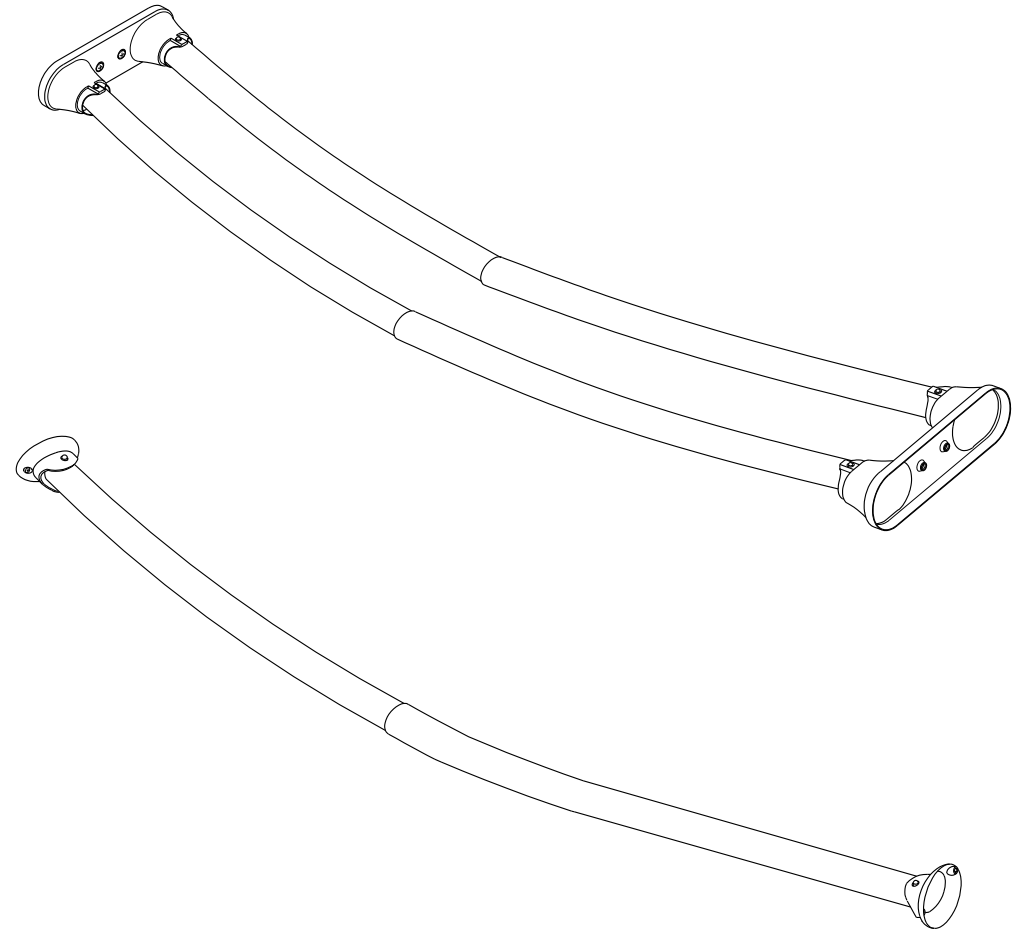


4. Place the shower rod on the mounting location and insert screws through first mounting post into anchors. Tighten screws with screwdriver.

5



5. Expand the shower rod and install on opposite end. Repeat steps 1 through 4 with the other side.


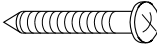
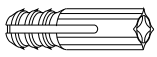


www.eodfaucet.com
TOLL-FREE CUSTOMER SERVICE: 877-FAUCET-1(328-2381)
TECHNICAL SUPPORT E-mail: info@eodfaucet.com
12775 Reservoir St., Chino, CA 91710

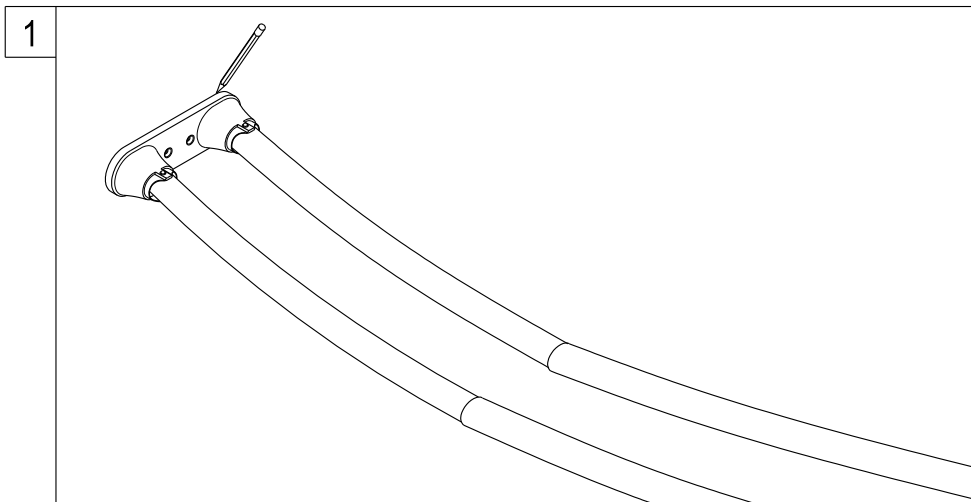
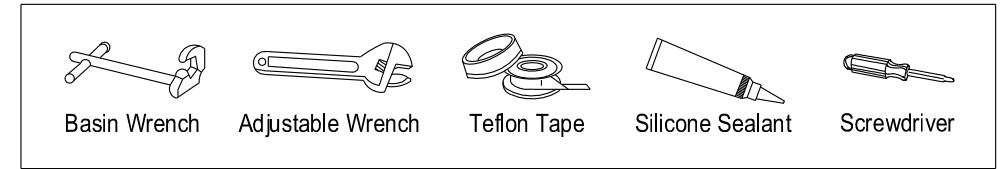
INSTALLATION INSTRUCTIONS

For Use With EOD's Adjustable Shower Rod

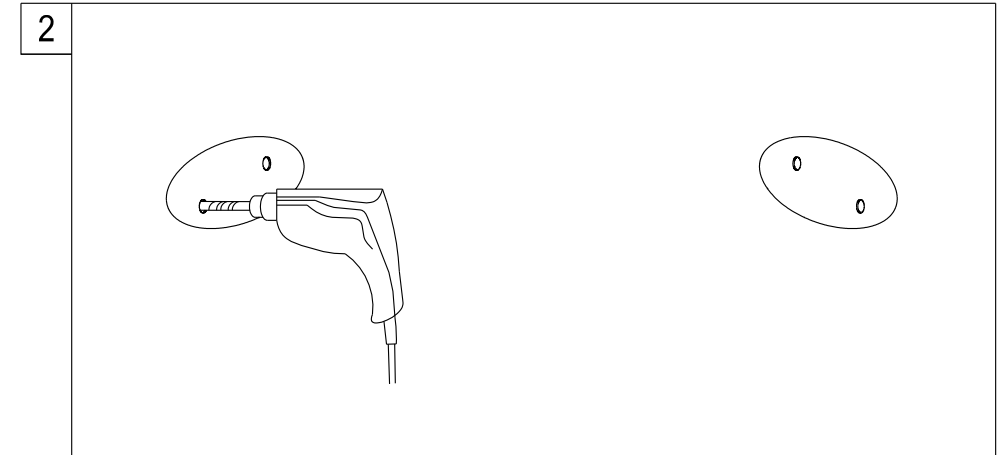
Parts:

Single Shower Rod		1 Pc
Double Shower Rods		2 Pcs
Screw		4 Pcs
Anchor		4 Pcs

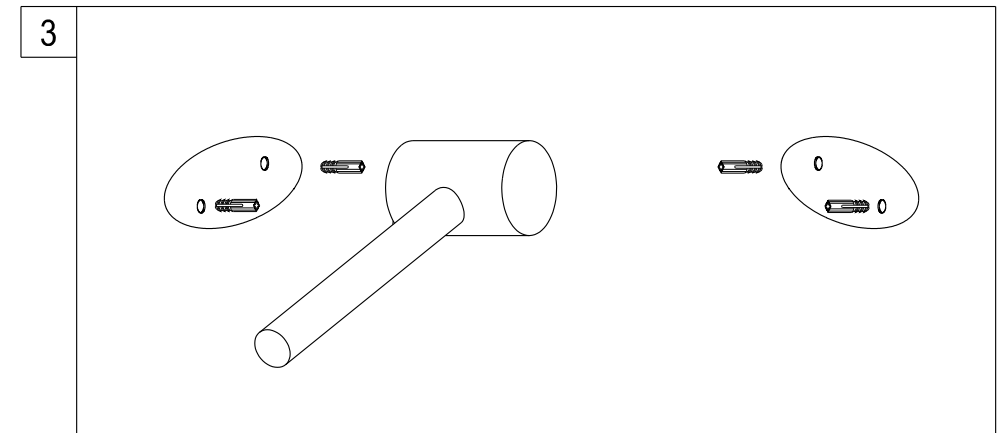
Need Tools:



1. Locate where you would like to install the curved shower rod. Place a base onto the wall and trace around it with a pencil.



2. Place the mounting plate in the center of the pencil outline you just made and mark the location of the mounting screws. Drill holes at the marked locations.



3. Insert anchors into the holes with a hammer until flush with the wall.