

## INSTALLATION INSTRUCTIONS

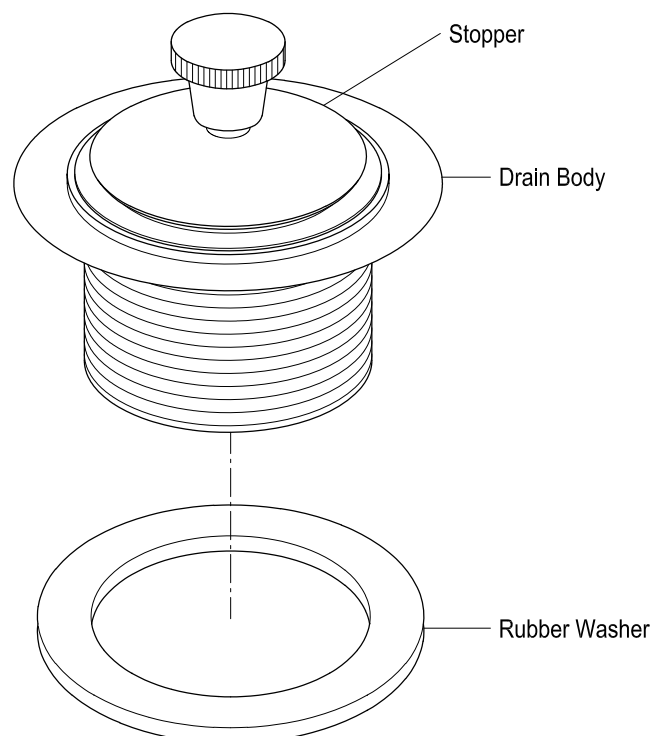
### Lift & Lock Drain

#### TOOLS REQUIRED



#### INSTALLATION INSTRUCTIONS:

1. Using either a 4 way or a dumbbell wrench remove old drain and clean area around the drain opening.
2. Remove drain stopper by unthreading counterclockwise.
3. Apply plumbers putty under the drain flange or insert rubber gasket, apply Teflon tape on threads.
4. Carefully thread drain by hand, finish tightening using the 4 way wrench or the dumbbell wrench.
5. Clean any excess plumber putty and re-install the drain stopper.



### NOTICE

Failure to follow all directions may cause leaks  
which may result in water damage

[www.eodfaucet.com](http://www.eodfaucet.com)

TOLL-FREE CUSTOMER SERVICE: 877-FAUCET-1(328-2381)

TECHNICAL SUPPORT E-mail: [info@eodfaucet.com](mailto:info@eodfaucet.com)

12775 Reservoir Street, Chino, CA 91710