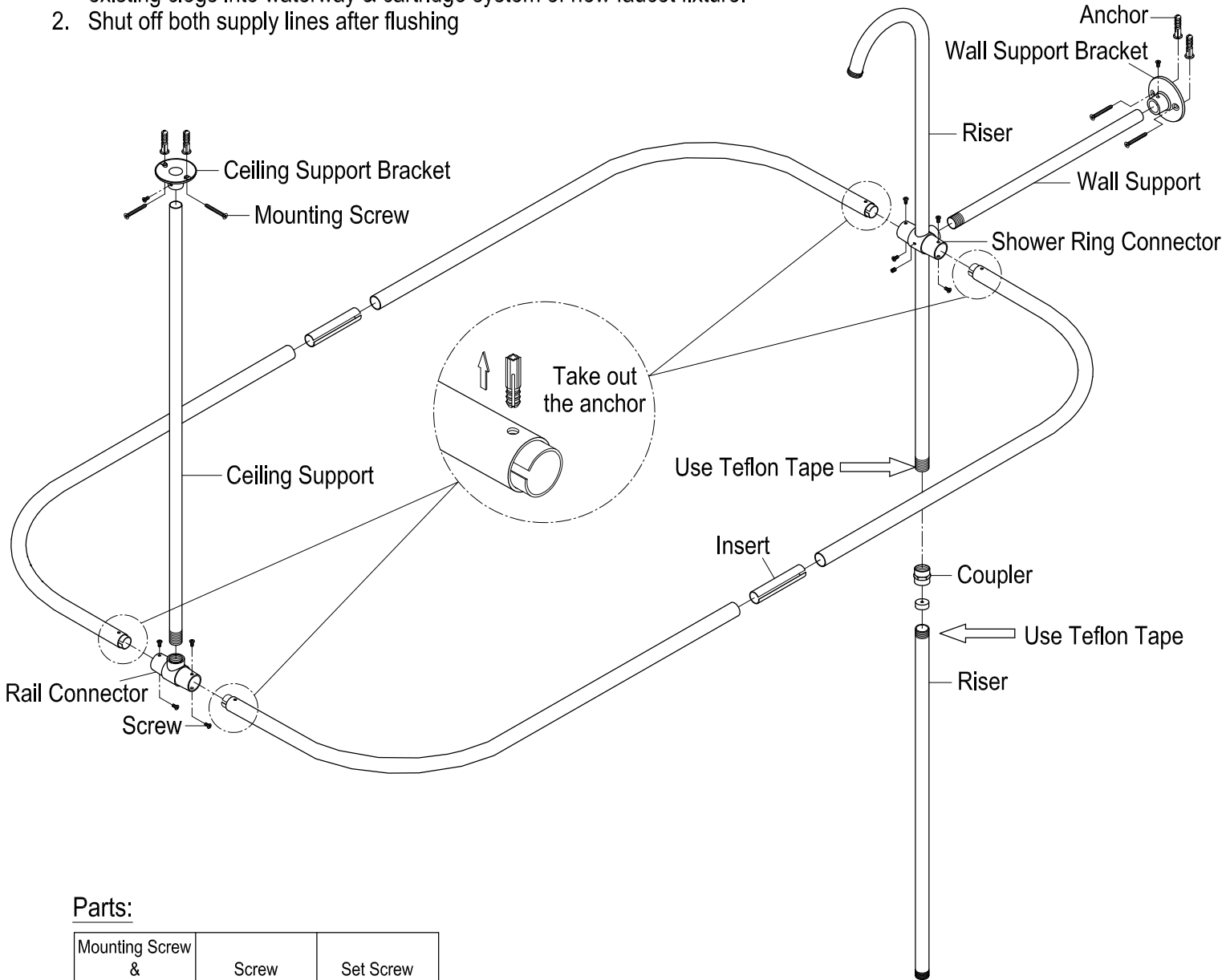


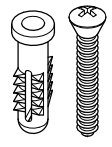


INSTALLATION INSTRUCTIONS Shower Riser Bath Supply

BEFORE BEGINNING INSTALLATION:

1. Flush plumbing lines to clear debris in pipe and plumbing lines to avoid existing clogs into waterway & cartridge system of new faucet fixture.
2. Shut off both supply lines after flushing



Parts:

| Mounting Screw & Anchor | Screw | Set Screw |
|---|---|---|
|  |  |  |
| 4 Pcs | 10 Pcs | 1 Pc |

www.eodfaucet.com

TOLL-FREE CUSTOMER SERVICE: 877-FAUCET-1(328-2381)

TECHNICAL SUPPORT E-mail: info@eodfaucet.com

12775 Reservoir Street, Chino, CA 91710

NOTICE

Failure to follow all directions may cause leaks which may result in water damage

CAUTION

Failure to follow all installation directions may cause product to detach from the wall and cause serious injury

Installation Manual:

- STEP 1. Insert the thick rubber washer inside the coupler.
- STEP 2. Apply Teflon tape on both thread ends of up and down risers.
- STEP 3. Thread both up and down risers onto coupler.
- STEP 4. Mark sure the rubber washer is actually compressed between the up and down risers. Also, the coupler should be tightly connected, no loosen allowed.

Warning: If the rubber washer is loosen inside the coupler or not compressed, it will not effectively seal the water and lead to leakage.

© 2023-06-D Elements Of Design

