

INSTALLATION INSTRUCTIONS

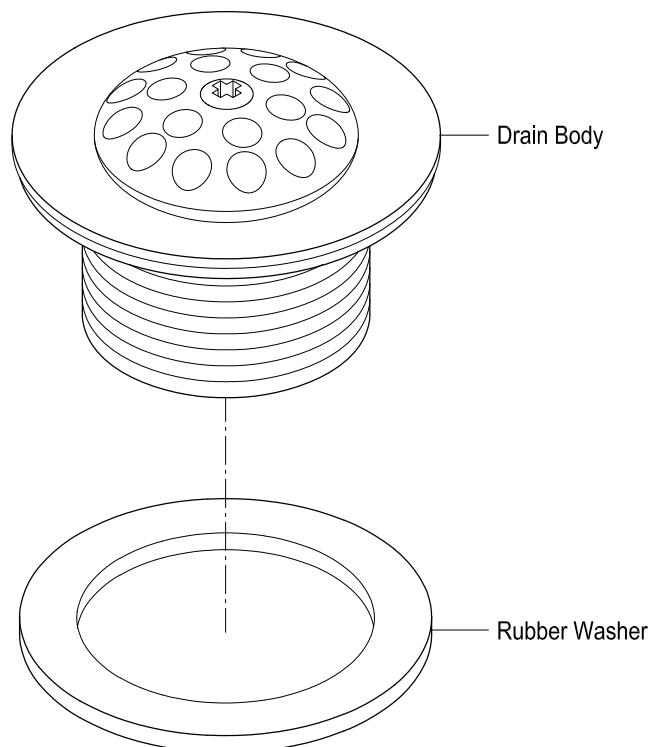
Strainer Drain

TOOLS REQUIRED



INSTALLATION INSTRUCTIONS:

1. Using either a 4 way or a dumbbell wrench remove old drain and clean area around the drain opening.
2. Remove drain stopper by unthreading counterclockwise.
3. Apply plumbers putty under the drain flange or insert rubber gasket, apply Teflon tape on threads.
4. Carefully thread drain by hand, finish tightening using the 4 way wrench or the dumbbell wrench.



NOTICE

Failure to follow all directions may cause leaks
which may result in water damage

www.eodfaucet.com

TOLL-FREE CUSTOMER SERVICE: 877-FAUCET-1(328-2381)

TECHNICAL SUPPORT E-mail: info@eodfaucet.com

12775 Reservoir Street, Chino, CA 91710