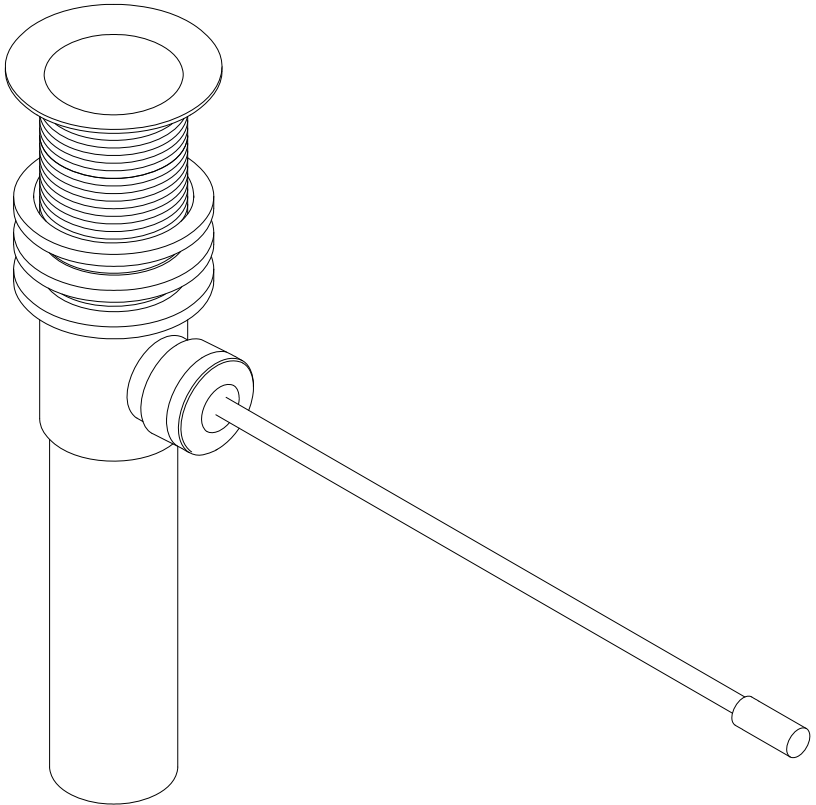


Elements
of Design



www.eodfaucet.com

TOLL-FREE CUSTOMER SERVICE: 877-FAUCET-1(328-2381)

TECHNICAL SUPPORT E-mail: info@eodfaucet.com

12775 Reservoir St Chino, CA 91710

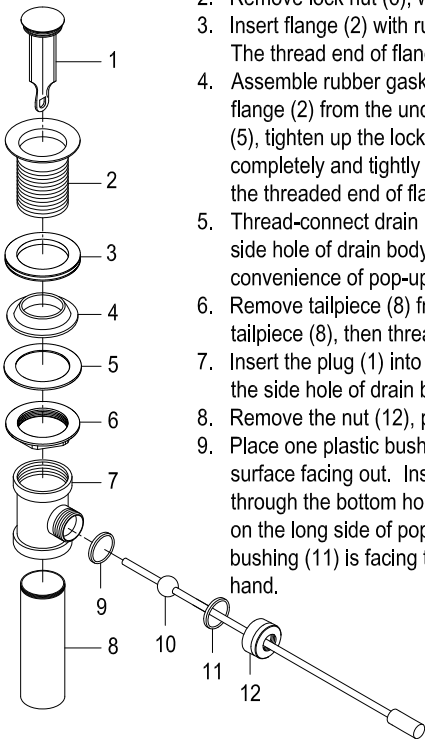
INSTALLATION INSTRUCTIONS

For Use With EOD's Brass Pop-Up

Need Tools:



INSTALLATION:



1. Turn the flange (2) in counter clockwise to remove it from drain body (7).
2. Remove lock nut (6), washer (5), rubber gasket (4) and plug (1) from flange (2).
3. Insert flange (2) with rubber washer (3) downwardly into the drain opening of sink. The thread end of flange (2) should come out beneath the sink.
4. Assemble rubber gasket (4), washer (5) and lock nut (6) onto the threaded end of flange (2) from the underside of sink. Push up rubber gasket (4) and plastic washer (5), tighten up the lock nut (6) with a wrench until the rubber gasket (4) can completely and tightly seal the drain opening beneath the sink. Apply Teflon tape on the threaded end of flange (2).
5. Thread-connect drain body (7) on to flange (2) by hand. Adjust and make sure the side hole of drain body (7) positioned toward the right side for operation convenience of pop-up lever (10).
6. Remove tailpiece (8) from drain body (7). Apply Teflon tape to the threads of tailpiece (8), then thread-connect it onto drain body (7) again.
7. Insert the plug (1) into the flange (2). Make sure plug's bottom hole is aligning with the side hole of drain body (7).
8. Remove the nut (12), plastic bushings (9)& (11) from the side hole of drain body (7).
9. Place one plastic bushing (9) in the side hole of drain body (7) with its concave surface facing out. Insert the short side of pop-up lever (10) from the side hole and through the bottom hole of plug (1). Put the other plastic bushing (11) and nut (12) on the long side of pop-up lever (10). Make sure the concave surface of plastic bushing (11) is facing to the ball of pop-up lever (10). Tighten up the nut (12) by hand.
10. Move the pop-up lever (10) up and down to test the plug (1) can open and close smoothly.
11. Pull up the pop-up lever (10) to the close position of the plug (1), then turn on faucets to full fill water in the sink. Examine to make sure no water comes out from the drain body.
12. Push down the pop-up lever (10) to the open position of plug to drain water. Examine to make sure no water leakage around the rubber gasket (4) or where drain body (7) connected.

If leakage found, adjust parts and re-tighten up until no more leakage.