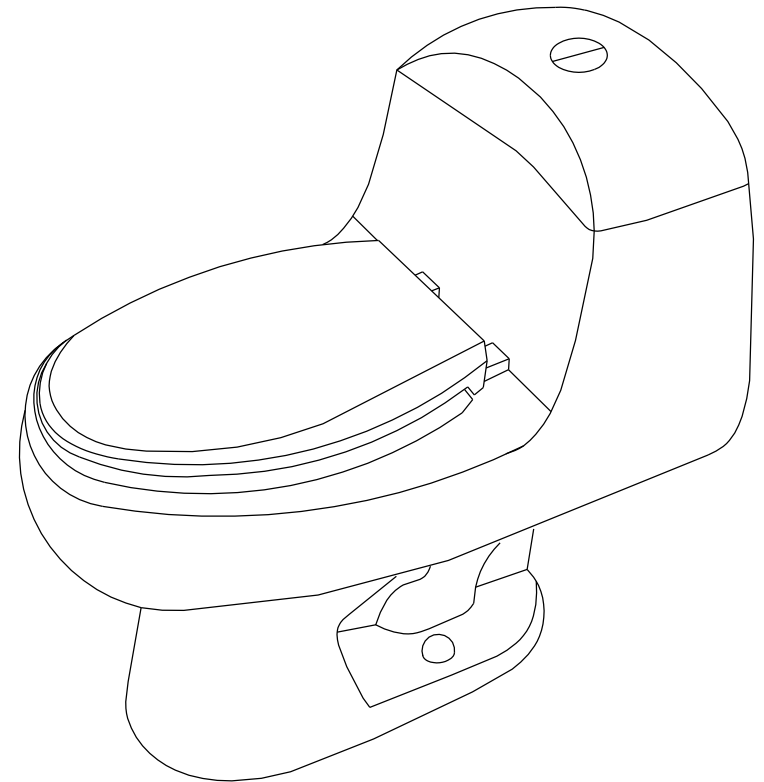


Elements
Of Design



www.eodfaucet.com
TOLL-FREE CUSTOMER SERVICE: 877-FAUCET-1(328-2381)
TECHNICAL SUPPORT E-mail: info@eodfaucet.com
12775 Reservoir St., Chino, CA 91710

Elements Of Design

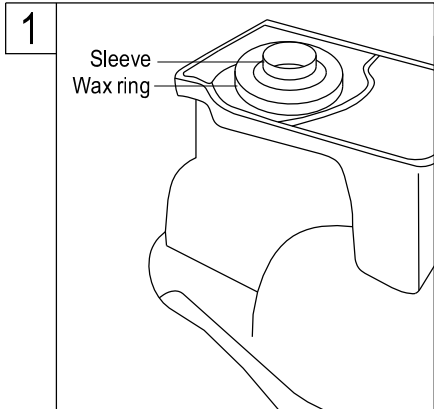
INSTALLATION INSTRUCTIONS

For Use Toilet

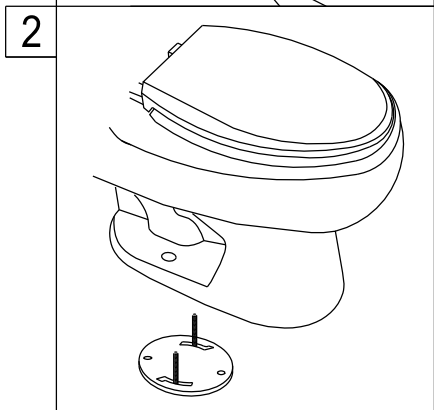
Remove Old Toilet :

1. Close water supply line to toilet
2. Flush toilet until most of the water is drained, with a rag soak up as much of the remaining water as possible.
3. Remove bolt caps and unthread nuts, remove toilet and T-Bolts cover opening with a rag to prevent debris or tools from falling inside the drain.
4. Scrape remnants of the old wax ring by scraping with a spatula.

Installation New Toilet Step :



1. Set the bowl upside down on a soft surface Press the gasket onto the toilet bottom outlet, remove the rag from the drain opening.

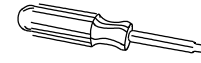


2. Carefully align the toilet with drain and lower making sure that T-Bolts protrude from holes of the bowl, apply firm and even pressure.

Need Tools:



Adjustable Wrench



Screwdriver



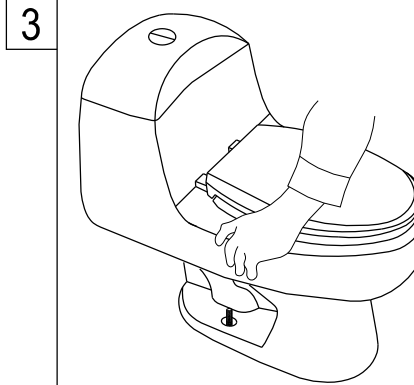
Teflon Tape



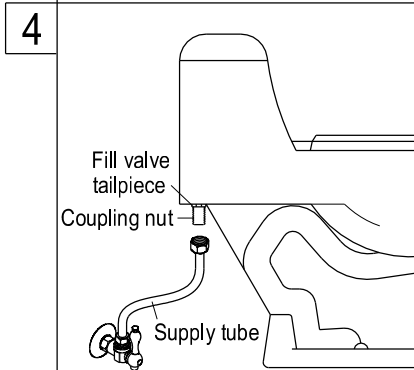
Plumber's Putty



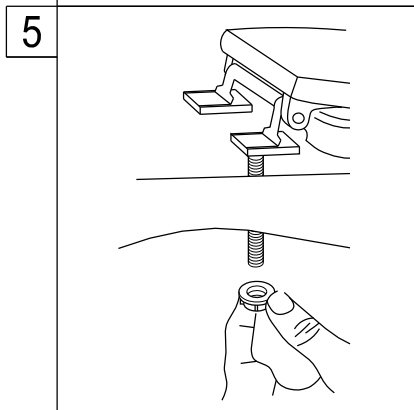
Pencil



3. Insert bolt cap bases washers and nuts onto bolts. Tighten bolts, alternating from side to side, should be bolts impede the installation of the cap, cut excess bolt length and file the edges.



4. Apply Teflon tape to toilet tank inlet and attach supply line.



5. Align Toilet seat with holes on the bowl, attach from below, do not over-tighten.