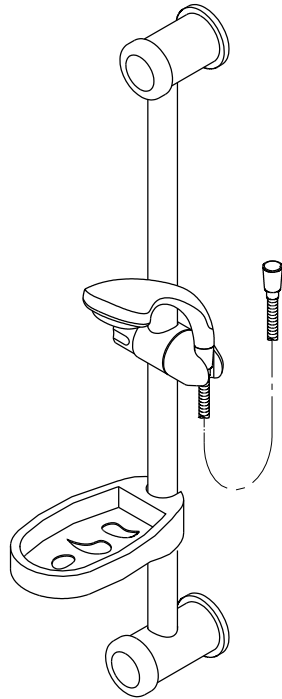


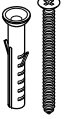


Elements Of Design

Slide Bar for Adjustable Height Personal Hand Shower Installation



Parts:

Adjustable Slide bar	Soap Dish Plate	Mounting Hardware
		
1 Pc	1 Pc	2 Pcs

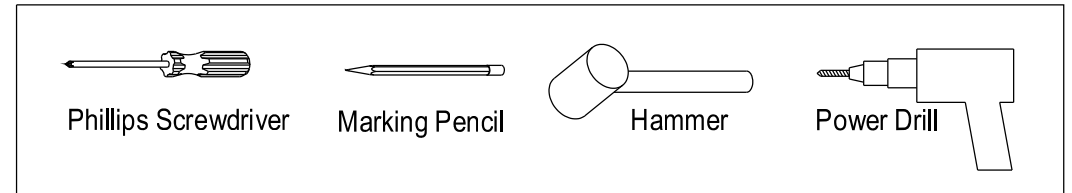
www.eodfaucet.com

TOLL-FREE CUSTOMER SERVICE: 877-FAUCET-1(328-2381)

TECHNICAL SUPPORT E-mail: info@eodfaucet.com

12775 Reservoir St., Chino, CA 91710

Need Tools:



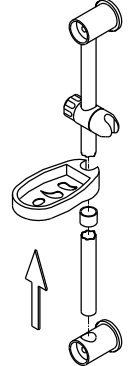
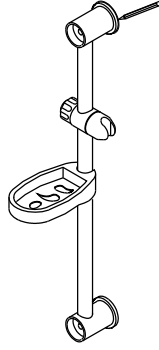
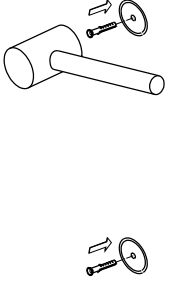
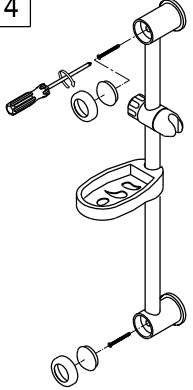
Legal Disclaimer :

This bar is not to be used as a grab bar and it is not intended to support weight.

Before you begin, identify the appropriate area to install this slide bar, proper location should be above 48" from the floor (as per ASTM F446).

It is recommended that slide bar to be mounted directly to the structural framing of your home. If necessary, cross bracing can be installed to provide adequate support.

Installation:

<p>1</p> 	<p>1. Assemble slide bar and position at the desired location.</p>	<p>2</p> 	<p>2. Mark the position of the mounting screw by inserting a pencil through the center of the end post.</p>
<p>3</p> 	<p>3. Remove slide bar and drill a small hole, insert plastic anchor until it is flushed with the surface of the wall.</p>	<p>4</p> 	<p>4. Attach slide bar to wall and fasten by threading screw into plastic anchor or wood stud, press cover button into place.</p>