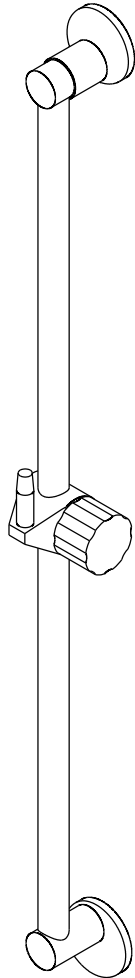
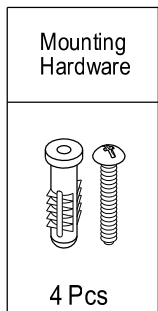




## Slide Bar for Adjustable Height Personal Hand Shower Installation

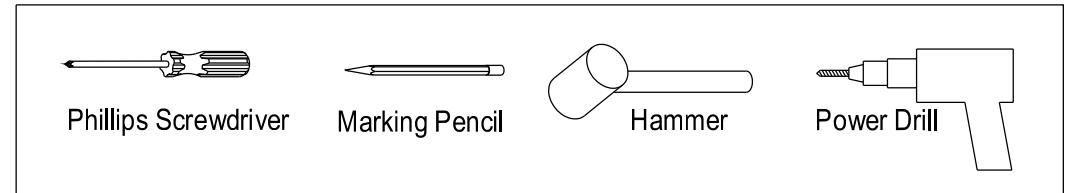


### Parts:



www.eodfaucet.com  
 TOLL-FREE CUSTOMER SERVICE: 877-FAUCET-1(328-2381)  
 TECHNICAL SUPPORT E-mail: info@eodfaucet.com  
 12775 Reservoir St., Chino, CA 91710

### Need Tools:



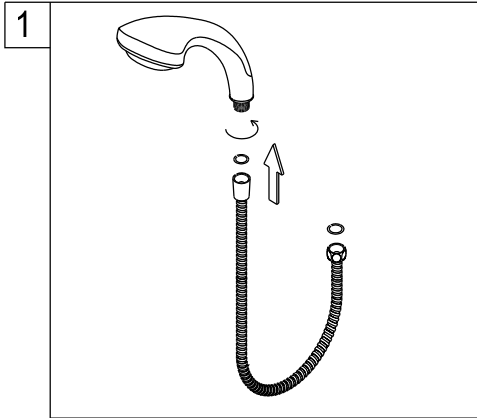
### Legal Disclaimer :

This bar is not to be used as a grab bar and it is not intended to support weight. Before you begin, identify the appropriate area to install this slide bar, proper location should be above 48" from the floor (as per ASTM F446). It is recommended that slide bar to be mounted directly to the structural framing of your home. If necessary, cross bracing can be installed to provide adequate support.

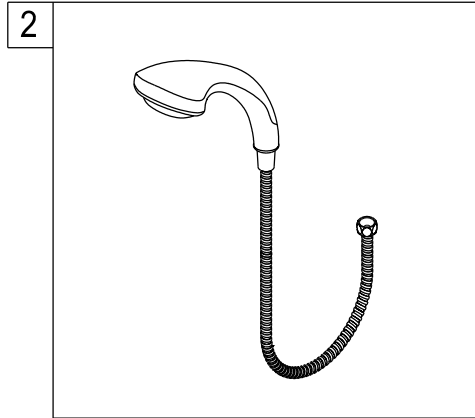
### Installation:

<p>1</p>	<p>1. Mark the position of the mounting screw by inserting a pencil through the center of the end post.</p>	<p>2</p>	<p>2. Remove slide bar and drill a small hole, insert plastic anchor until it is flushed with the surface of the wall.</p>
<p>3</p>	<p>3. Attach slide bar to wall and fasten by threading screw into plastic anchor or wood stud, press cover button into place.</p>		

Installation manual for hand shower :

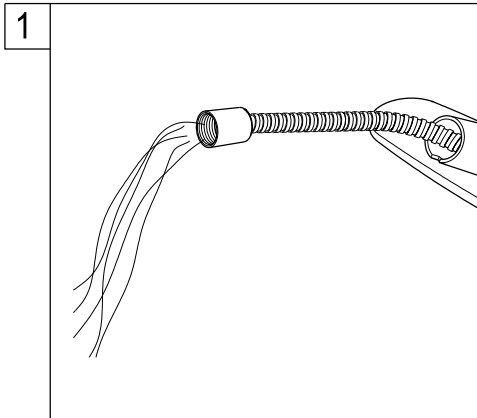


1. Put a washer to the cone shape hose nut and hand tightens the hand shower clockwise.

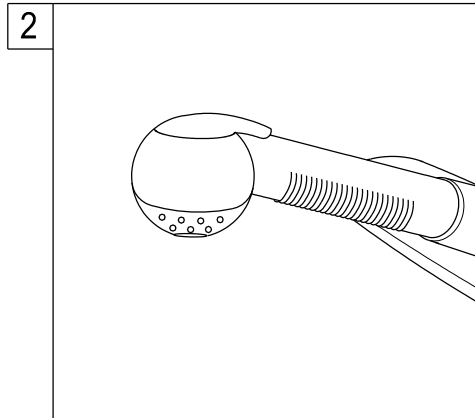


2. Turn on the water and check for leaks, if the hand shower leaks at the connection to the hose, hand tighten the connection some more.

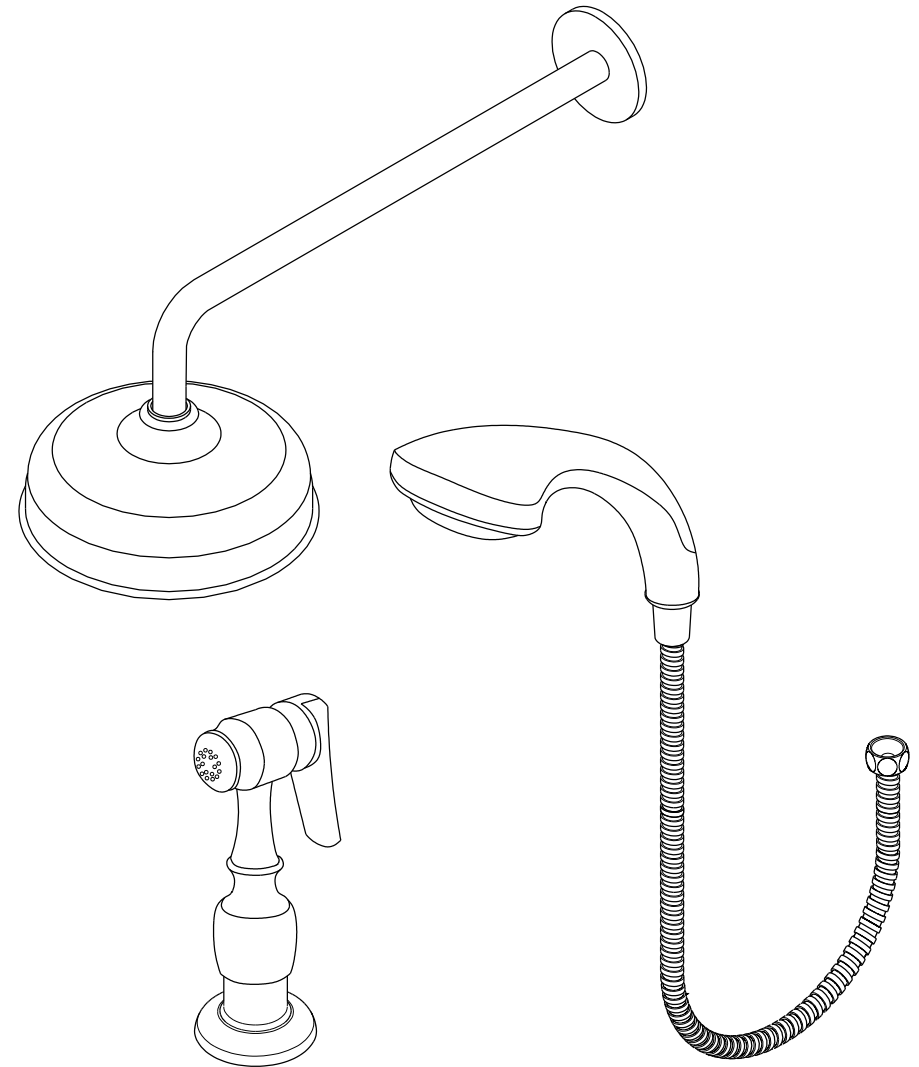
Installation manual for pull-out & pull-down sprayer:



1. Thread hose to spray head and feed from the top into the faucet spout, turn the spout to the right or to the left fully to facilitate the insertion of the hose.



2. After applying teflon tape thread other end of hose to spray hose outlet, located underneath the faucet. Remove sprayhead and let water run for at least one minute to eject any debris remaining on the line, reinstall sprayhead.



www.eodfaucet.com  
TOLL-FREE CUSTOMER SERVICE: 877-FAUCET-1(328-2381)  
TECHNICAL SUPPORT E-mail: info@eodfaucet.com  
12775 Reservoir St., Chino, CA 91710

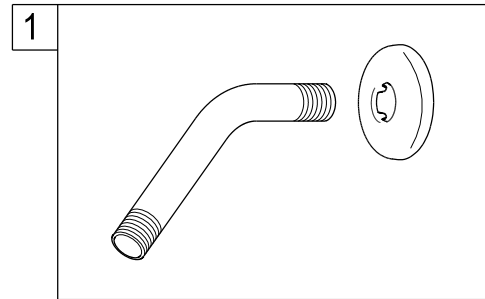
## INSTALLATION INSTRUCTIONS

For Use With EOD's Hand Shower Sets, Showerhead Sets and Deck Mount Sprayer

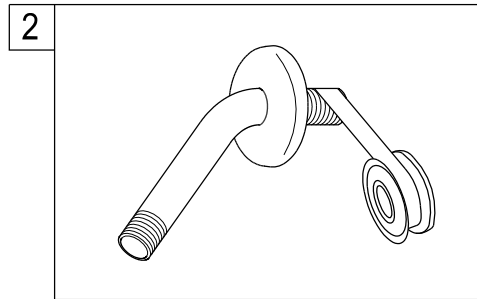
**Before installation:**

Hold the existing shower arm up and down to ensure the plumbing behind the wall is rigid to hold the weight of the new shower unit - about 3-4 lbs when filled with water.

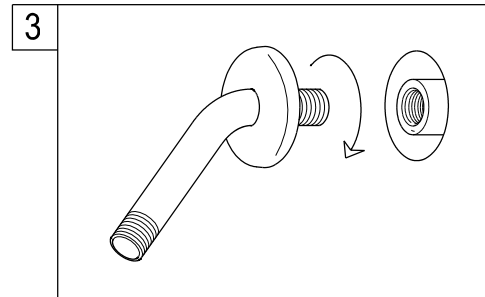
**Installation manual for shower arm & showerhead:**



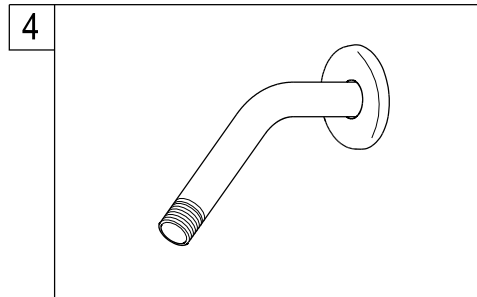
1. Place the flange into the shower rod.



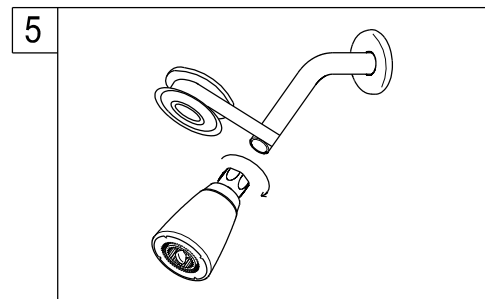
2. Wrap threads on one end of shower rod male nipple with 4 to 6 wraps of Teflon tape.



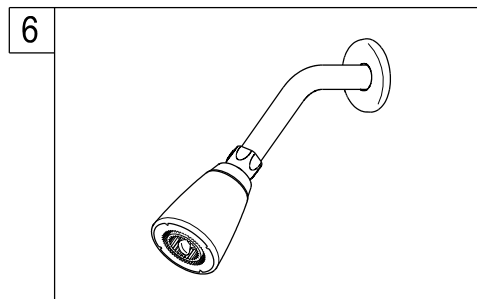
3. Thread the male nipple into female nipple (in wall), tighten with pipe wrench.



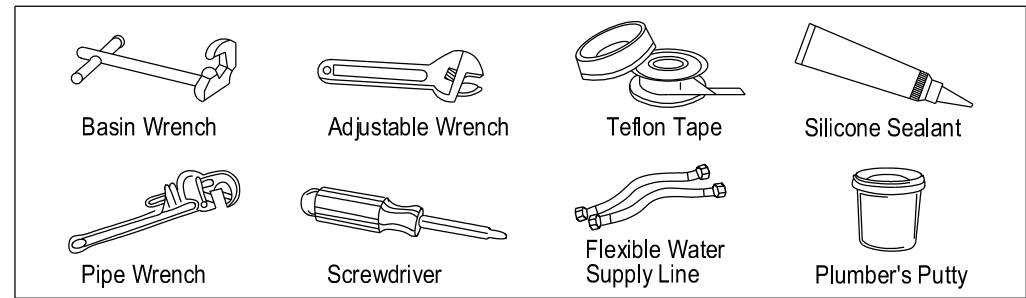
4. Turn the water on and check for leaks, any leaks will require minor tightening or adjustment.



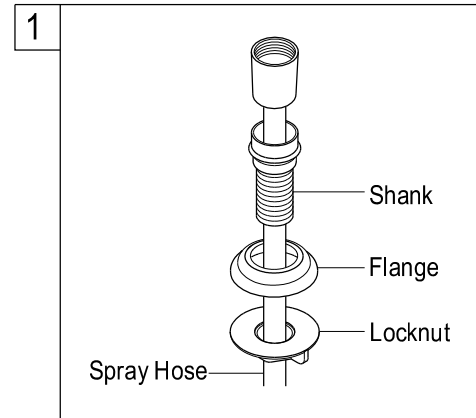
5. Wrap teflon tape around all the threads on shower rod and hand tighten the showerhead clockwise.



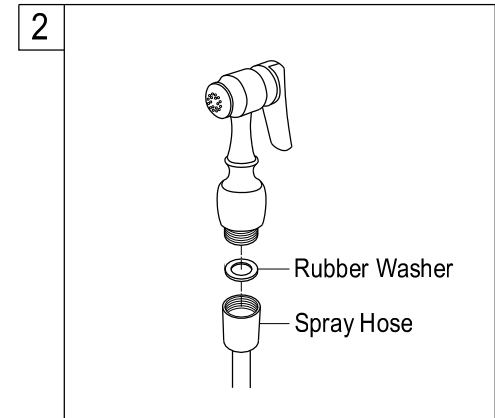
6. Turn the water on and check for leaks, any leaks will require minor tightening or adjustment. If the showerhead leaks at the connection to the thread shower arm, tighten the connection some more by using a wrench.



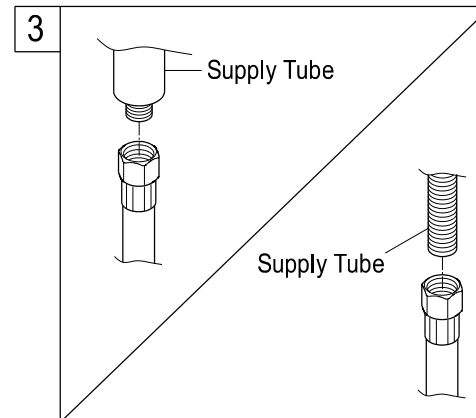
**Installation manual for deck mount sprayer:**



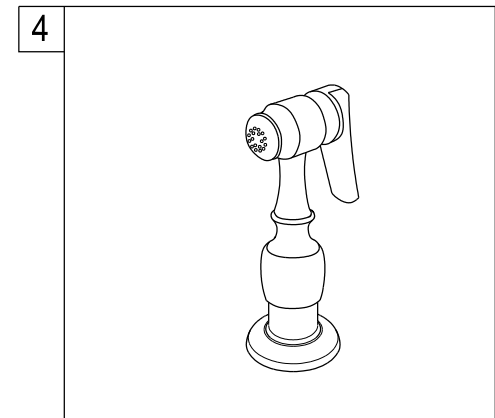
1. For model with spray head and hose, place the spray guide through the fourth hole in the sink, screw the locknut onto the shank and tighten firmly.



2. Place rubber washer to end of spray hose and attach sprayer.



3. Connect sprayer hose to the partially threaded inlet stem on the supply tube.



4. Set sprayer on base and sprayer is ready to use.