

MODEL#: **EB2635TL**

PRODUCT SPECIFICATION SHEET



DESCRIPTION:

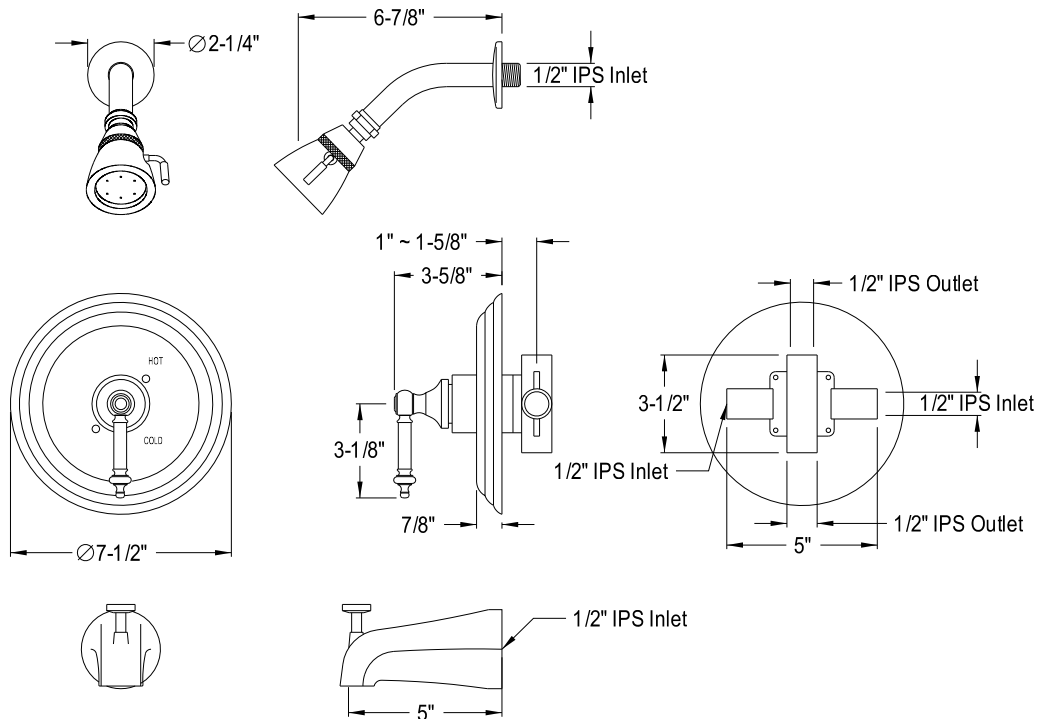
Templeton Tub & Showr Fct, Orb

CARTRIDGES (If applicable):

CARTRIDGE TYPE	MODEL #
Hot Cartridge	
Cold Cartridge	
Shared or Single H&C Cartridge	KBRP3631C
Diverter (If applicable)	

Note: Please always check with Elements of Design Customer Service for Cartridge Model Number Verification before you order.

Note: Photo above and Drawing below shows overall style of the product, handle styles may be different to the product model number this specification sheet is referring to.



Ref# KB2631 2.5.8TL | 2009-09-A