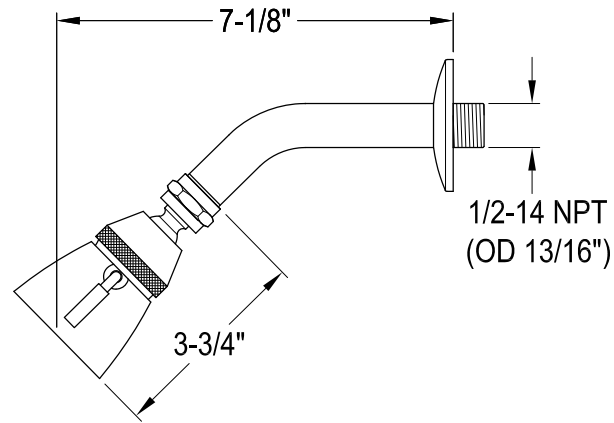
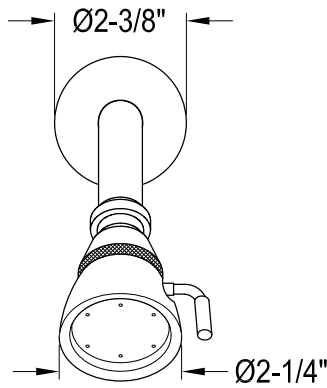


EB2631,2,5,7,8,9BXSO

Single Handle Pressure Balanced Tub & Shower Faucet, Shower Only



Bracket

