

# MODEL# :**ECC44405X**

## PRODUCT SPECIFICATION SHEET



**DESCRIPTION:**

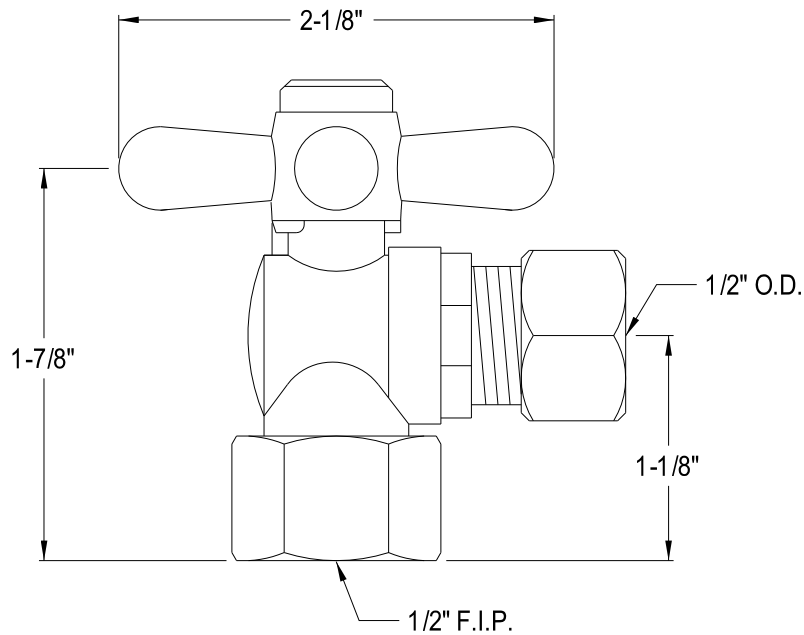
1/2" Ips \*1/2" Od, Angle Stop Orb, Cross Handle

**CARTRIDGES (If applicable):**

CARTRIDGE TYPE	MODEL #
Hot Cartridge	
Cold Cartridge	
Shared or Single H&C Cartridge	No Cartridge
Diverter (If applicable)	

**Note:** Please always check with Elements of Design Customer Service for Cartridge Model Number Verification before you order.

**Note:** Photo above and Drawing below shows overall style of the product, handle styles may be different to the product model number this specification sheet is referring to.



Ref# CC44401,2,5,8X| 2009-08-A