

MODEL#: **ECC83208TL**

PRODUCT SPECIFICATION SHEET



DESCRIPTION:

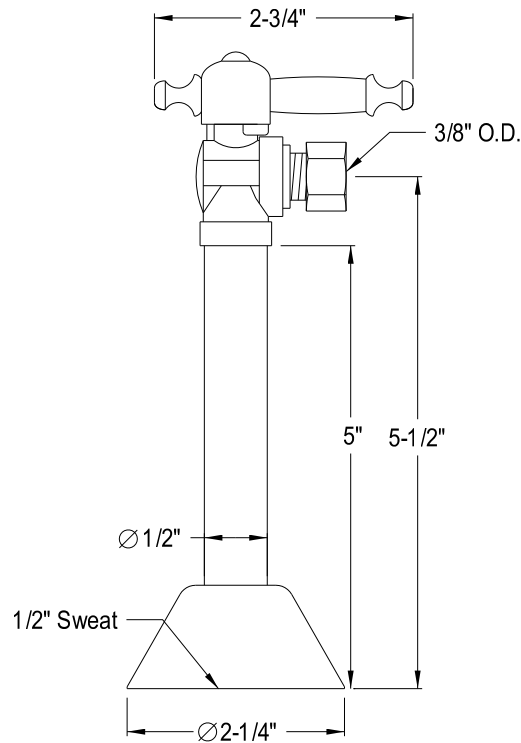
1/2" Sweat, 3/8" Od Comp, 5" Ext Sn, TI Handle

CARTRIDGES (If applicable):

CARTRIDGE TYPE	MODEL #
Hot Cartridge	
Cold Cartridge	
Shared or Single H&C Cartridge	No Cartridge
Diverter (If applicable)	

Note: Please always check with Elements of Design Customer Service for Cartridge Model Number Verification before you order.

Note: Photo above and Drawing below shows overall style of the product, handle styles may be different to the product model number this specification sheet is referring to.



Ref# CC83201: 2.5.8TL | 2009-04-A